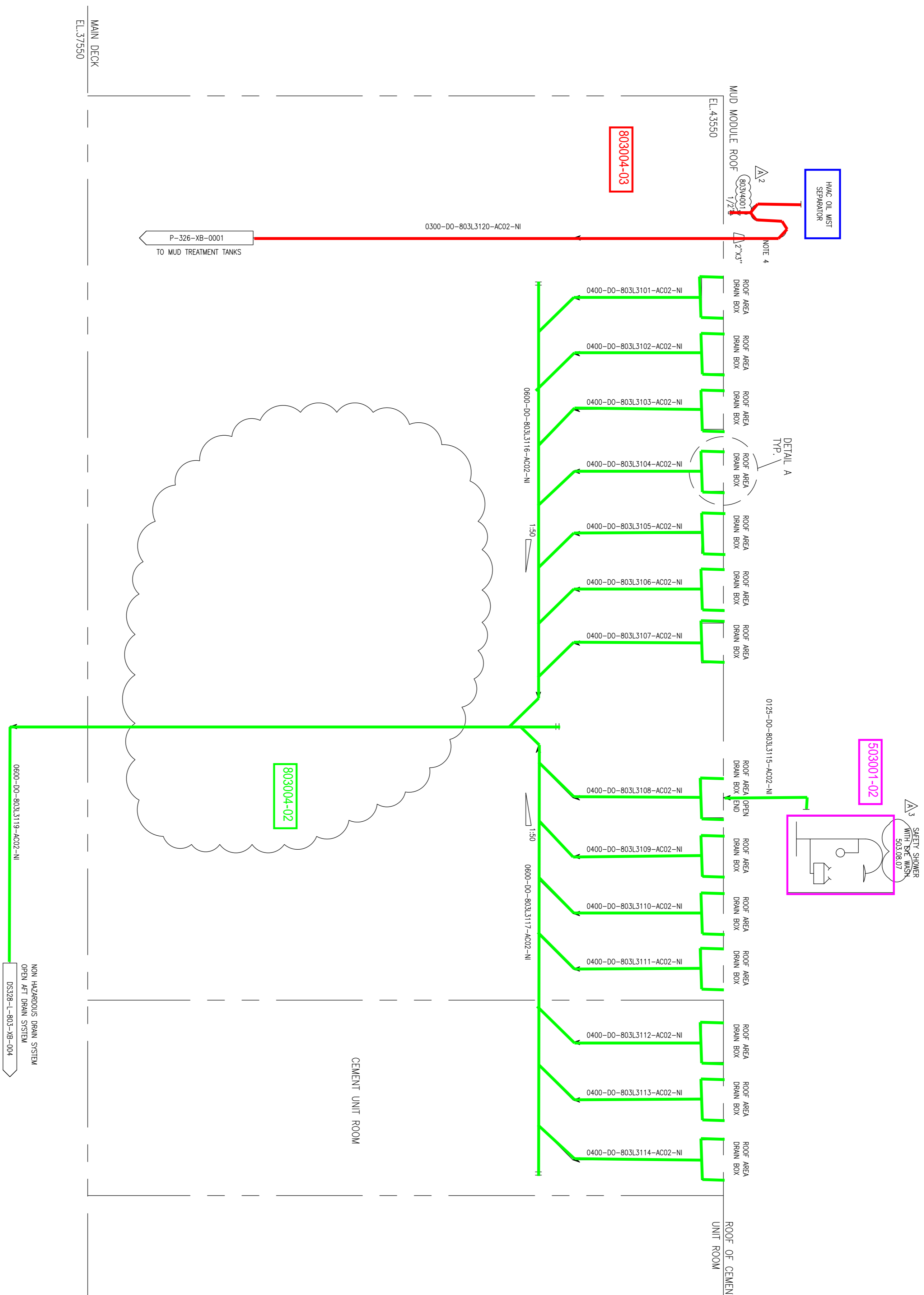
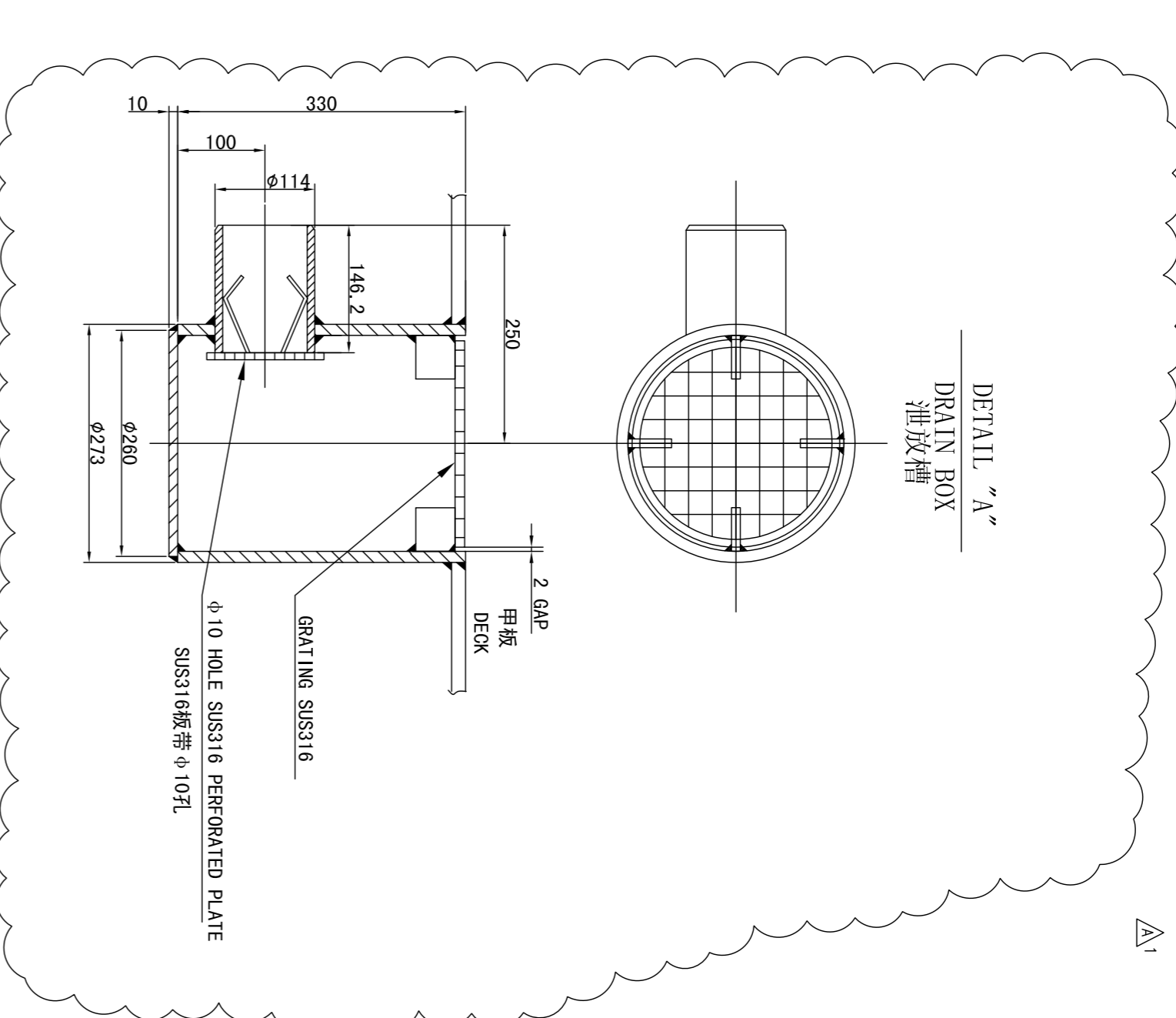


NOTES:

1. ALL DRAIN LINES TO HAVE MINIMUM SLOPE OF 1:50.
2. ALL DRAIN BRANCHES TIE-IN TO COLLECTION HEADER AT 45°.
- 3.
4. THE DRAIN LINE SIZE SHALL REFER TO VENDOR INFORMATION.



Rev.	Date	Reason for issue	Prep.	Check	Appr.	Client.
03	12 Feb 2015	RE-ISSUED APPROVED FOR CONSTRUCTION	CZH	AHU	CUI	
02	09 Jun 2015	APPROVED FOR CONSTRUCTION	CZH	AHU	CUI	
01	30 Oct 2014	ISSUED FOR APPROVAL	CZH	AHU	CUI	

Rev.	Date	Reason for issue	Prep.	Check	Appr.	Client.
03	12 Feb 2015	RE-ISSUED APPROVED FOR CONSTRUCTION	CZH	AHU	CUI	
02	09 Jun 2015	APPROVED FOR CONSTRUCTION	CZH	AHU	CUI	
01	30 Oct 2014	ISSUED FOR APPROVAL	CZH	AHU	CUI	

OWNER: 海洋石油 982 (HAI YANG SHI YOU 982)		PROJECT: PIPING & INSTRUMENT DIAGRAM NON HAZARDOUS DRAIN SYSTEM MUD TREATMENT ROOM	
DESIGNER: WOOD GROUP MUSTANG		SCALE: NTS SHEET NO.: 1/1 REVISION: 03	