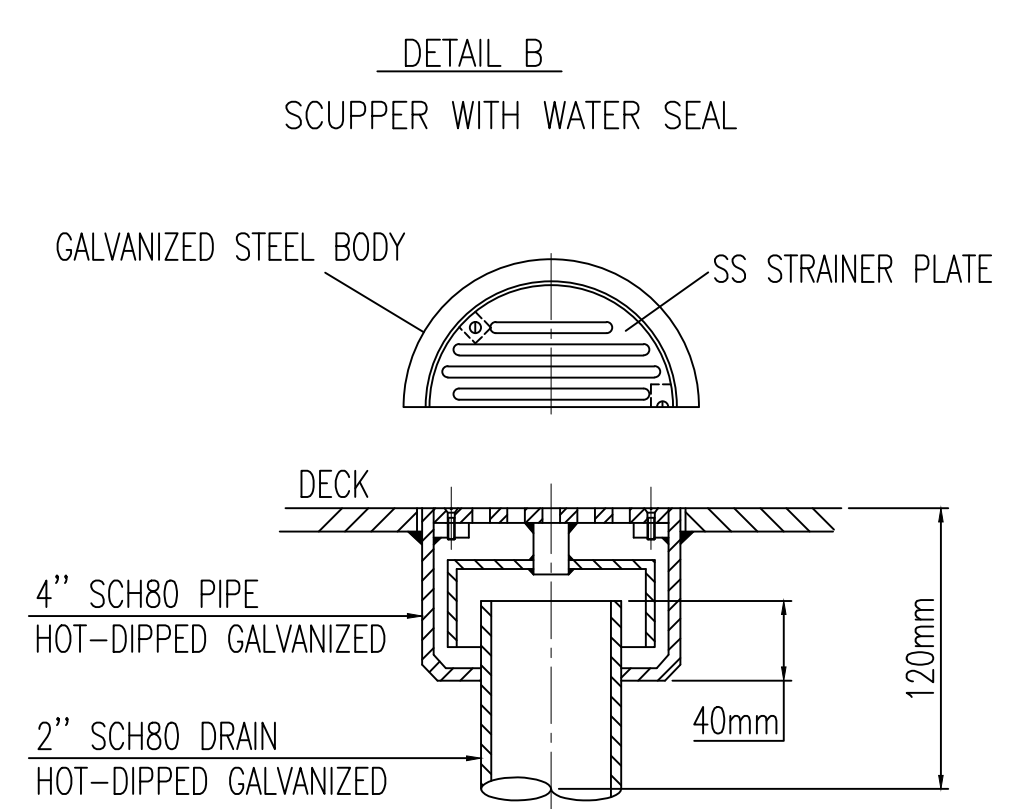
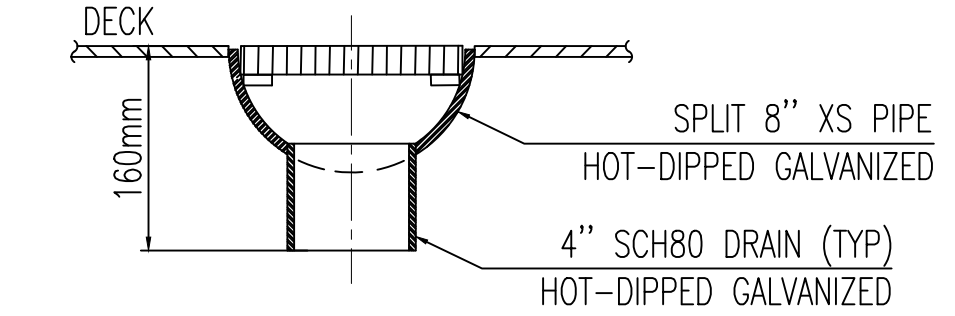
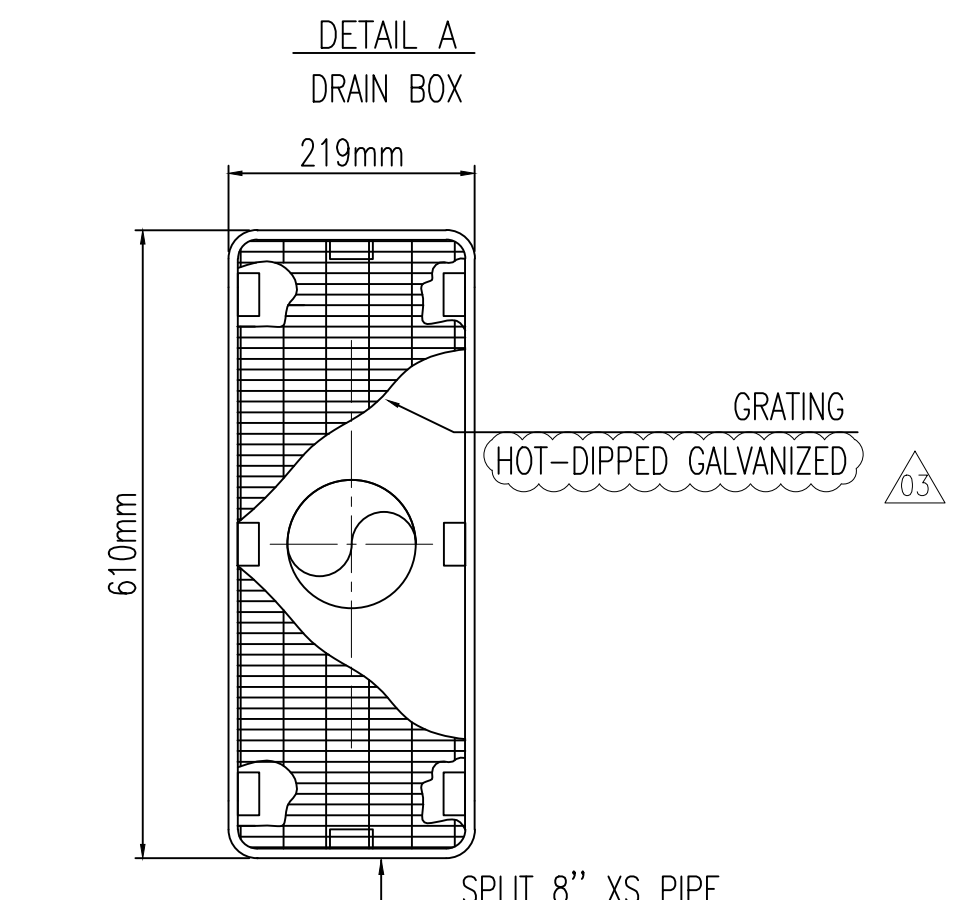
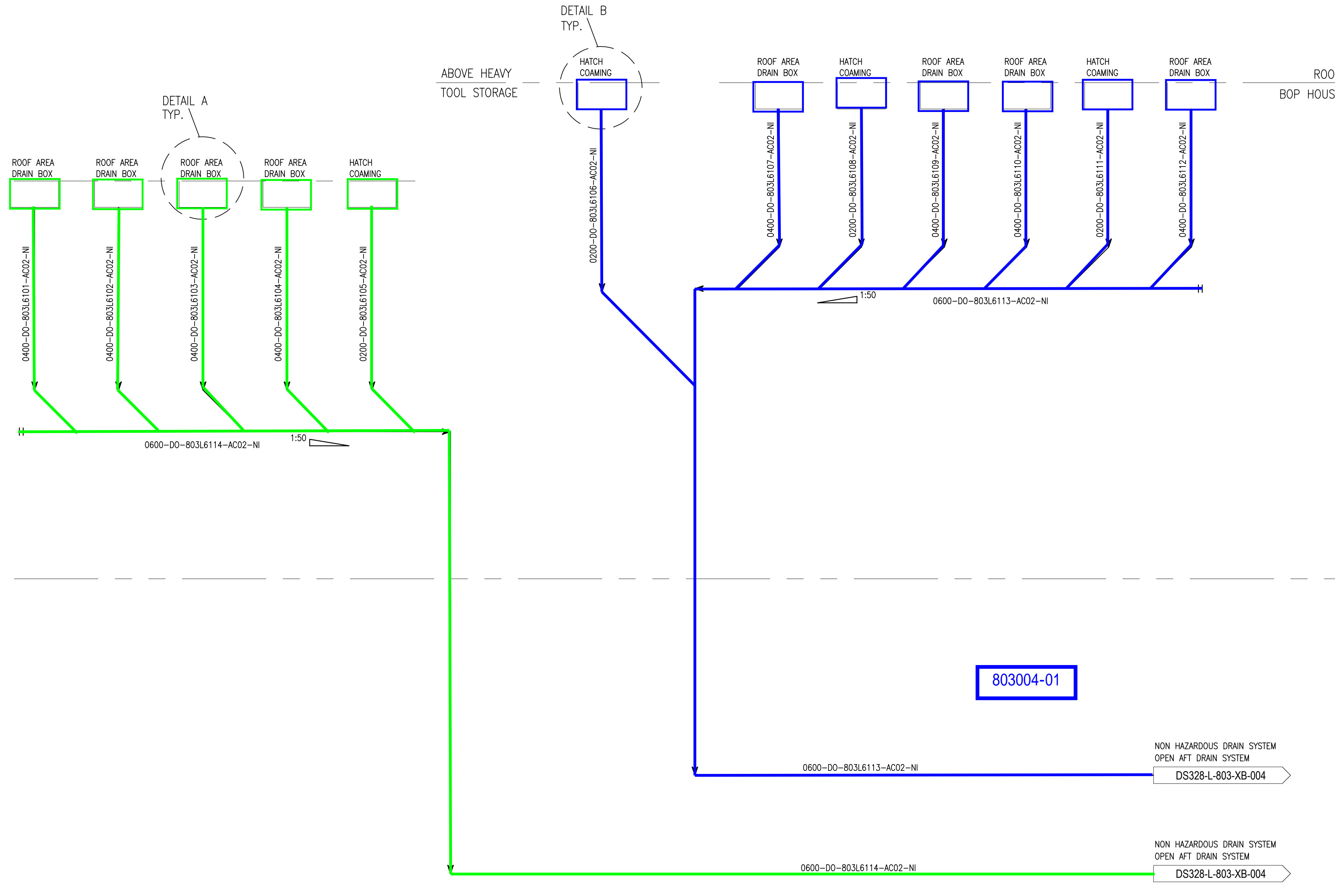


NOTES:

1. ALL DRAIN LINES TO HAVE MINIMUM SLOPE OF 1:50.
2. ALL DRAIN BRANCHES TIE-IN TO COLLECTION HEADER AT 45°.

DRAWWORKS  
HOUSE ROOF  
EL.50750



803004-01

803004-02

NON HAZARDOUS DRAIN SYSTEM  
OPEN AFT DRAIN SYSTEM  
DS328-L-803-XB-004

NON HAZARDOUS DRAIN SYSTEM  
OPEN AFT DRAIN SYSTEM  
DS328-L-803-XB-004

|                          |                                                       |
|--------------------------|-------------------------------------------------------|
| DS328-L-803-XB-004       | P&ID-NON HAZARDOUS DRAIN SYSTEM-OPEN AFT DRAIN SYSTEM |
| 33110004-L-103-LA-0002   | SPECIAL ITEM LIST                                     |
| 33110004-P-103-LA-0002   | VALVE LIST                                            |
| 33110004-P-103-LA-0001   | LINE LIST                                             |
| 33110004-P-103-XB-0002/3 | P&ID-DRILLING LEGENDS                                 |
| 33110004-P-103-XB-0001   | P&ID-DRAWING INDEX                                    |
| Drawing or Document No.  | Title                                                 |

| REFERENCE |             |                                     |       |       |       |         |
|-----------|-------------|-------------------------------------|-------|-------|-------|---------|
| Rev.      | Date        | Reason for issue                    | Prep. | Check | Appr. | Client. |
| 03        | 12 Feb 2015 | RE-ISSUED APPROVED FOR CONSTRUCTION | CZH   | AHU   | CUI   |         |
| 02        | 09 Jan 2015 | APPROVED FOR CONSTRUCTION           | CZH   | AHU   | CUI   |         |
| 01        | 30 Oct 2014 | ISSUED FOR APPROVAL                 | CZH   | AHU   | CUI   |         |

| REVISIONS                                                                                                                                             |                                                                         |  |          |              |  |
|-------------------------------------------------------------------------------------------------------------------------------------------------------|-------------------------------------------------------------------------|--|----------|--------------|--|
| OWNER:                                                                                                                                                | TITLE:                                                                  |  |          |              |  |
| BUILDER:                                                                                                                                              | PROJECT NO.:                                                            |  |          |              |  |
| DESIGNER:                                                                                                                                             | DRAWING NO.:                                                            |  |          |              |  |
|                                                                                                                                                       |                                                                         |  | SCALE:   |              |  |
| <b>COSL</b>                                                                                                                                           | 海洋石油 982 (HAI YANG SHI YOU 982)                                         |  |          |              |  |
| <b>DSIC</b>                                                                                                                                           | PIPING & INSTRUMENT DIAGRAM<br>NON HAZARDOUS DRAIN SYSTEM<br>DRILLFLOOR |  |          |              |  |
| <b>WOOD GROUP MUSTANG</b>                                                                                                                             | 33110004                                                                |  |          | NTS          |  |
|                                                                                                                                                       | 33110004-P-803-XB-0003                                                  |  |          | 1/1          |  |
| This drawing is the property of Wood Group Mustang China and must not be used or reproduced by anyone without permission of Wood Group Mustang China. |                                                                         |  | SIZE: A1 | REVISION: 03 |  |