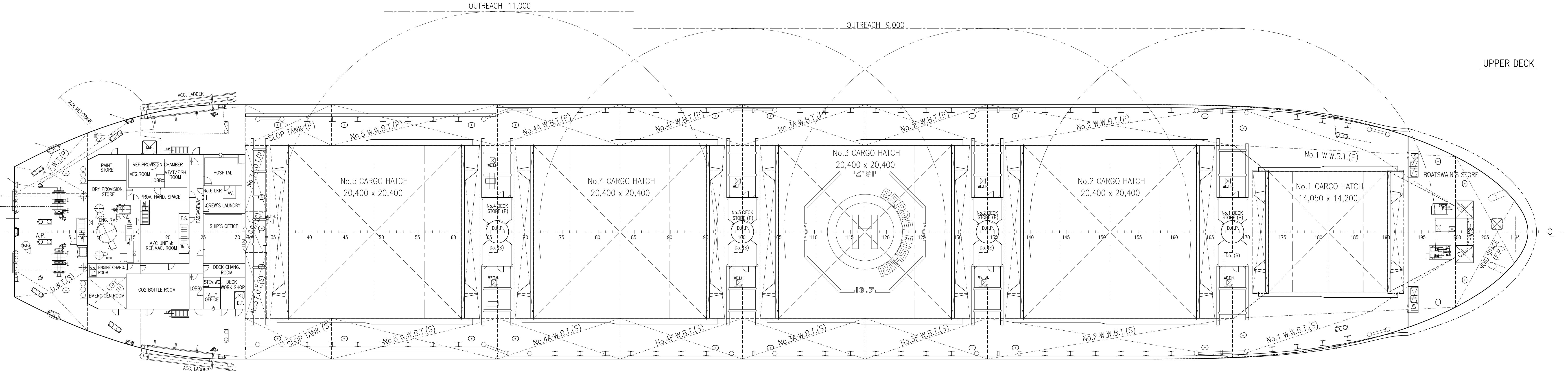
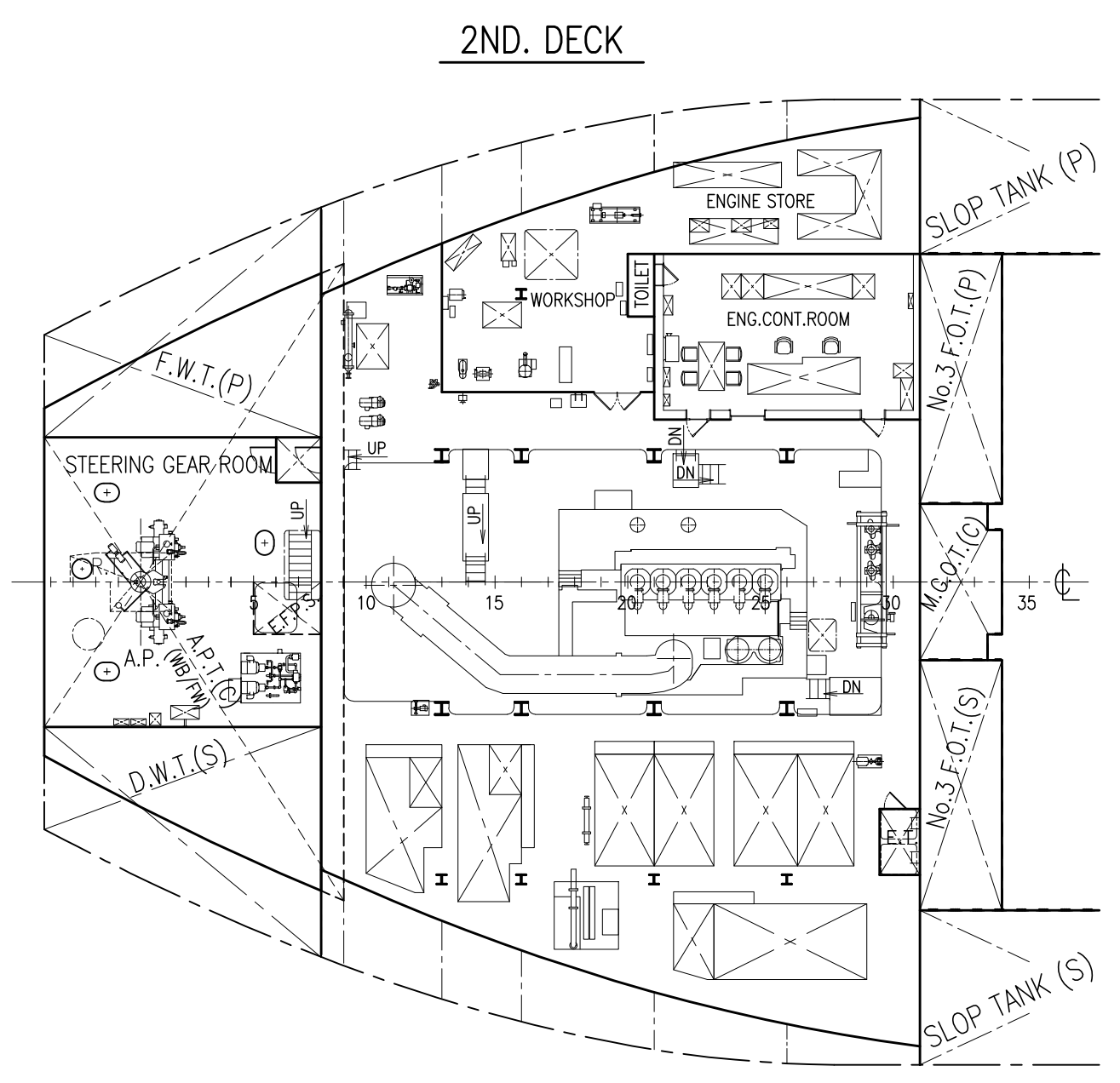
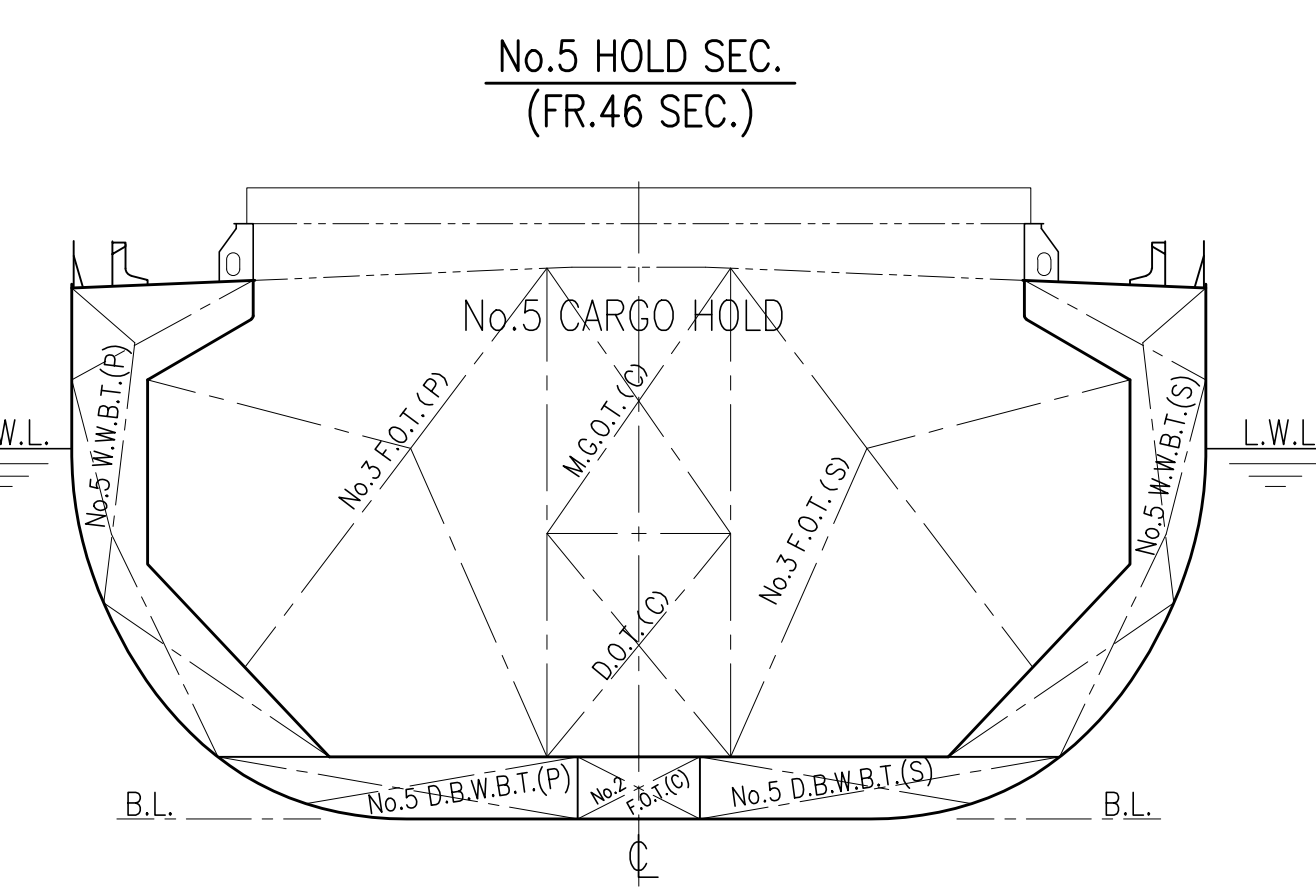
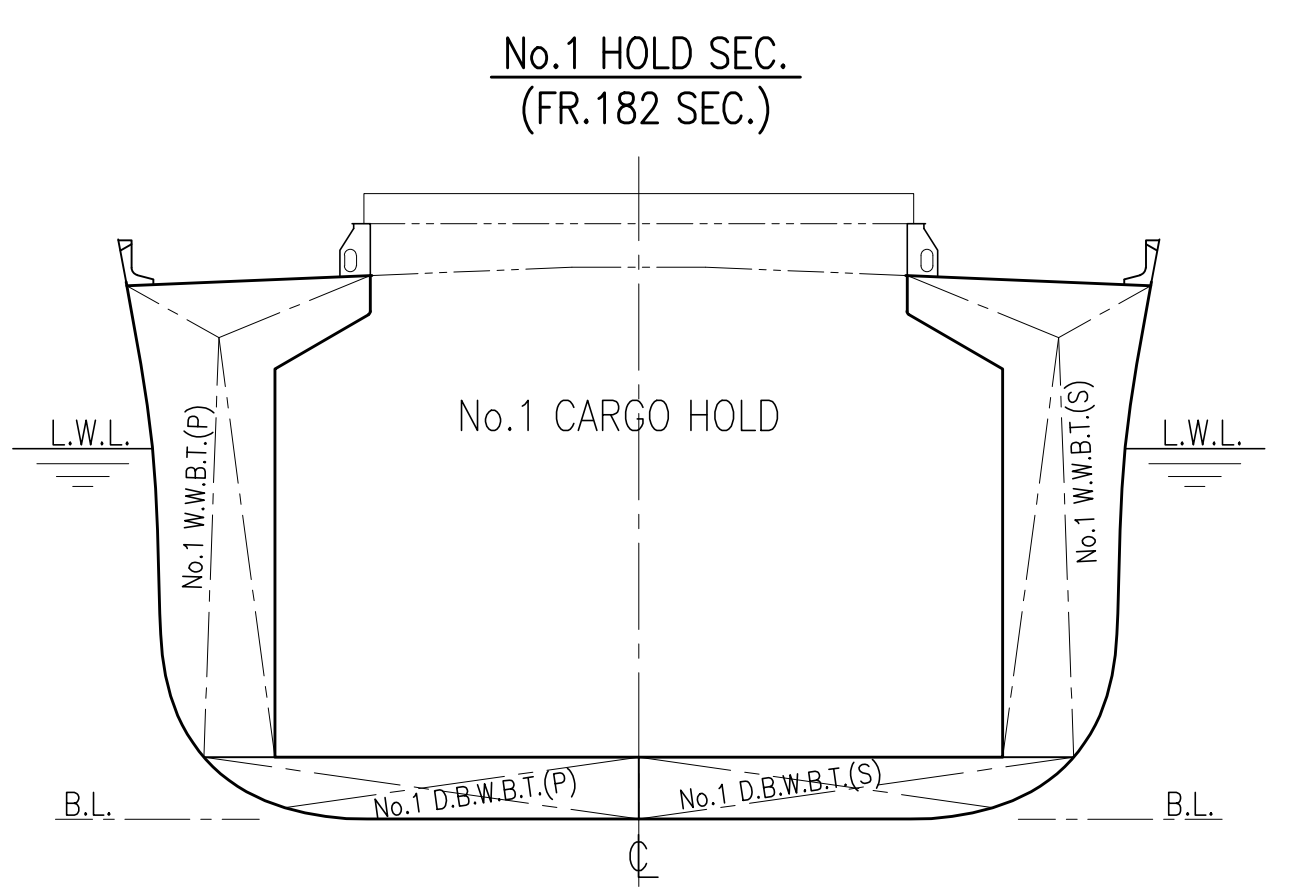
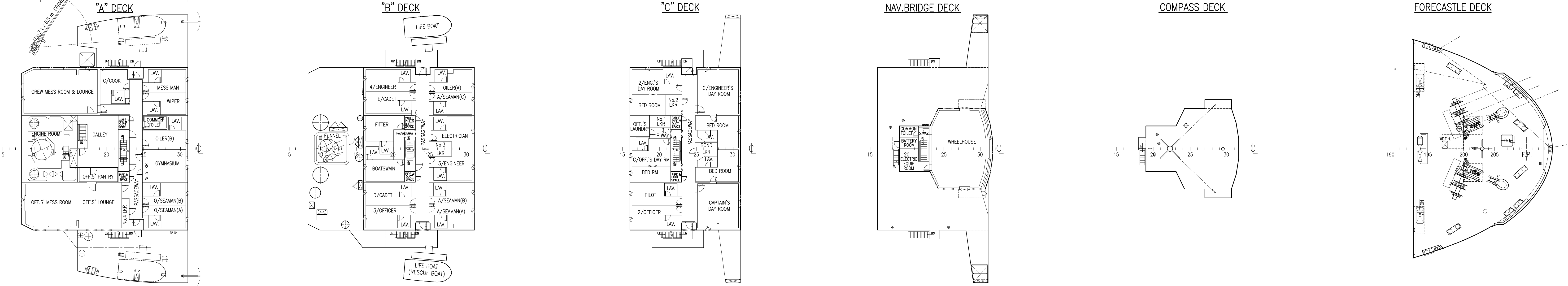
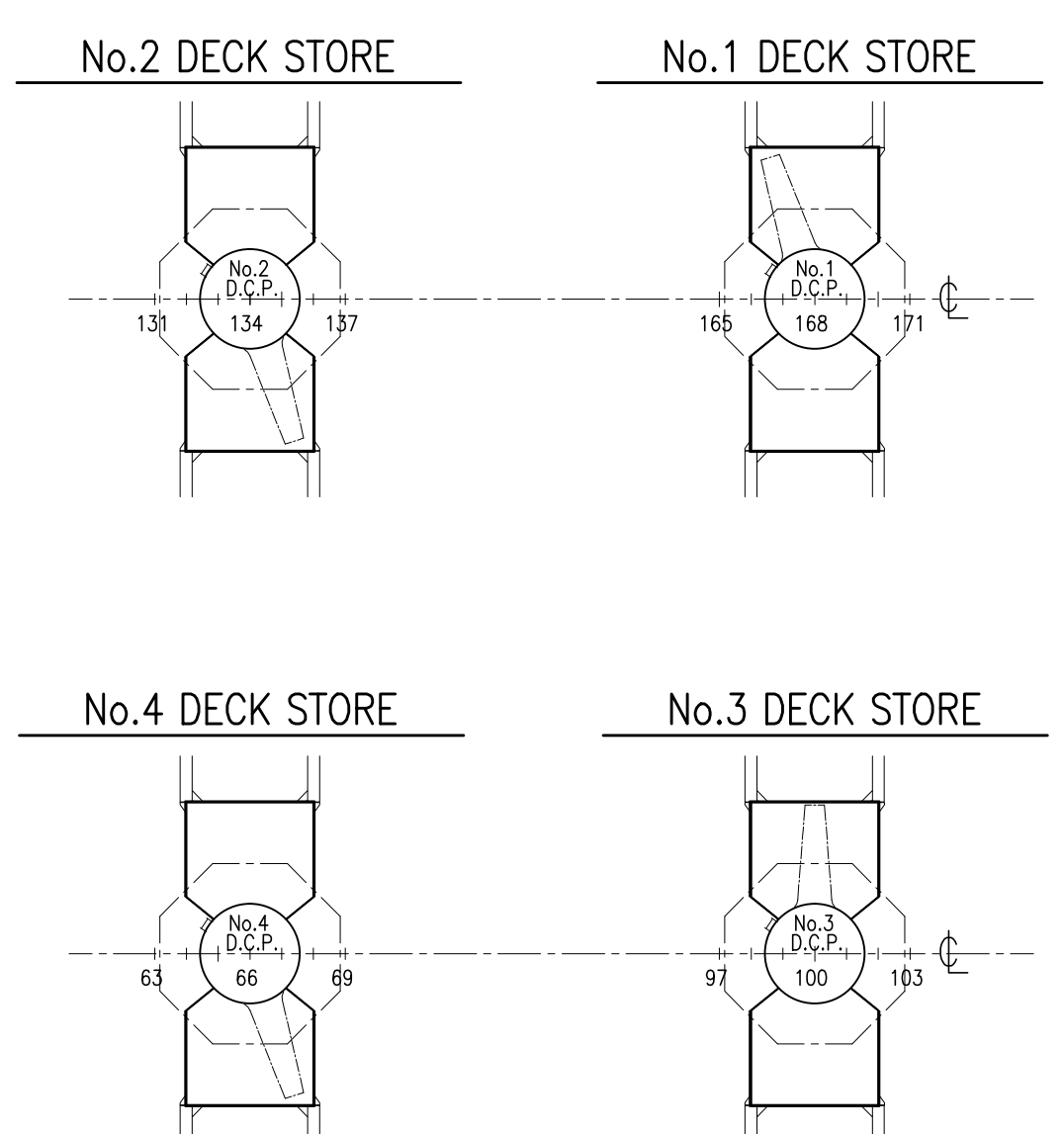
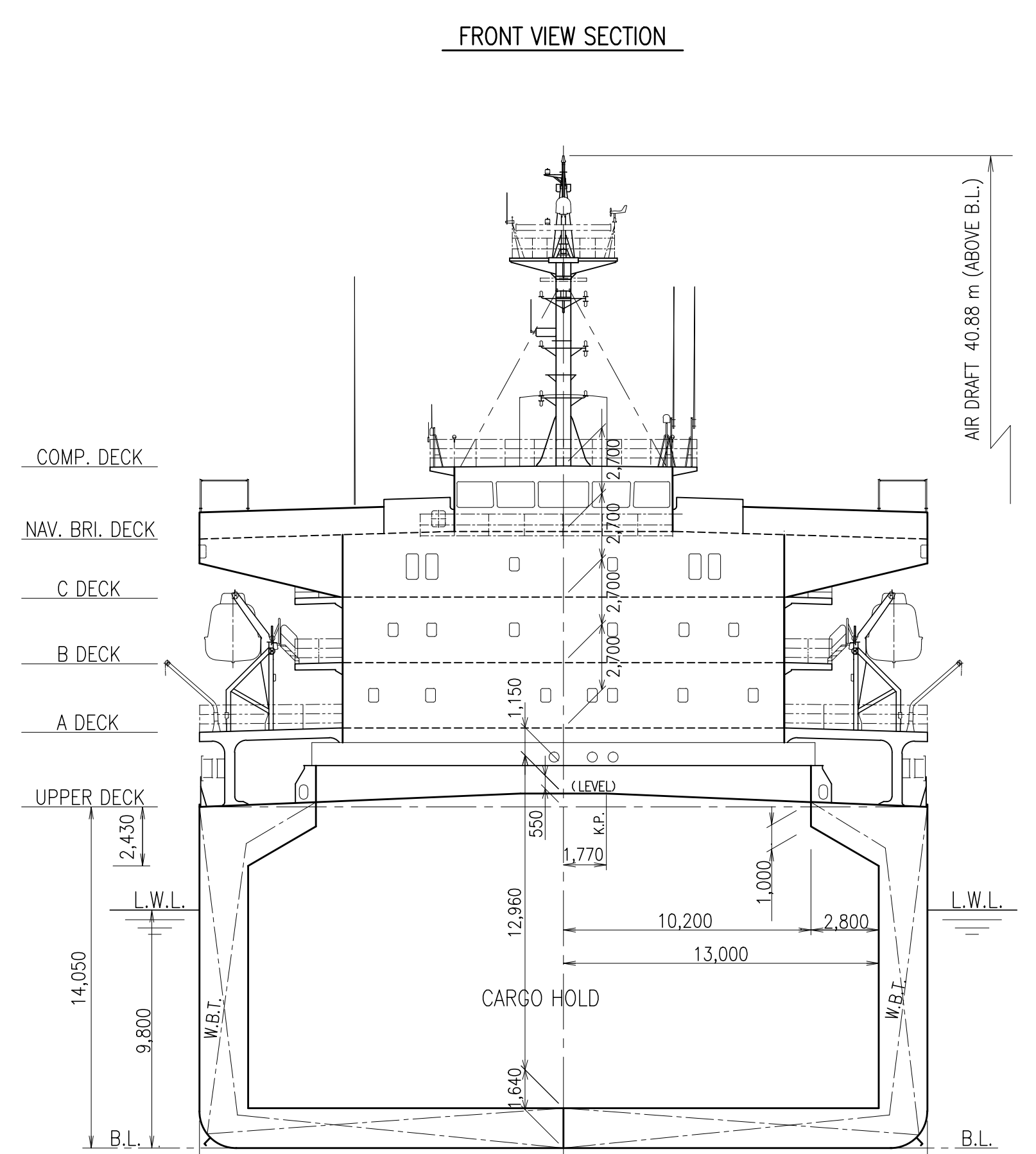
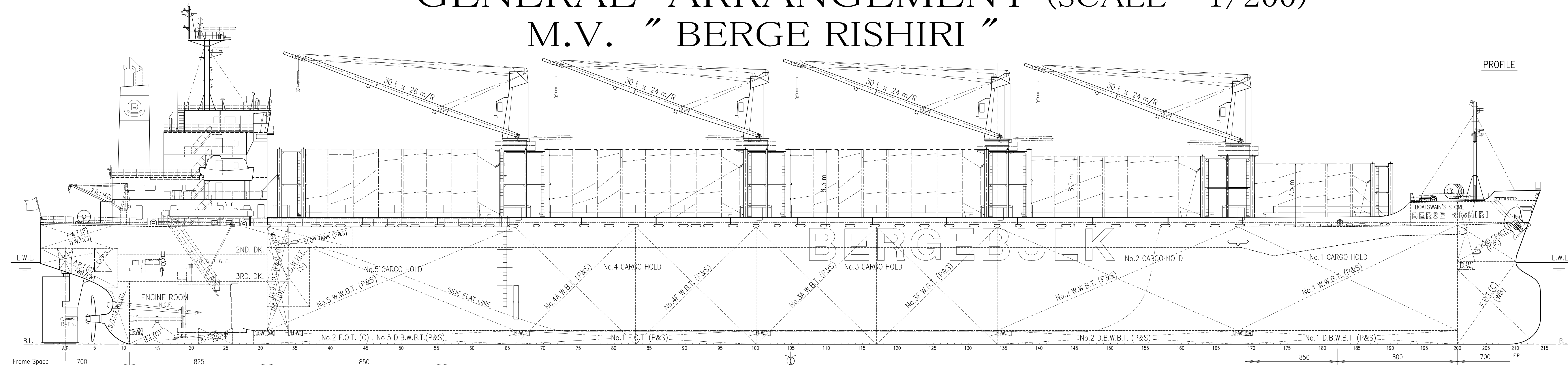


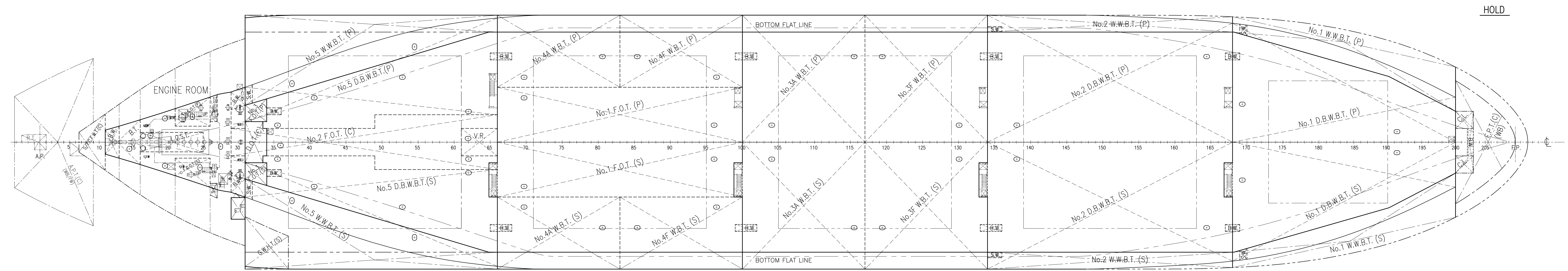
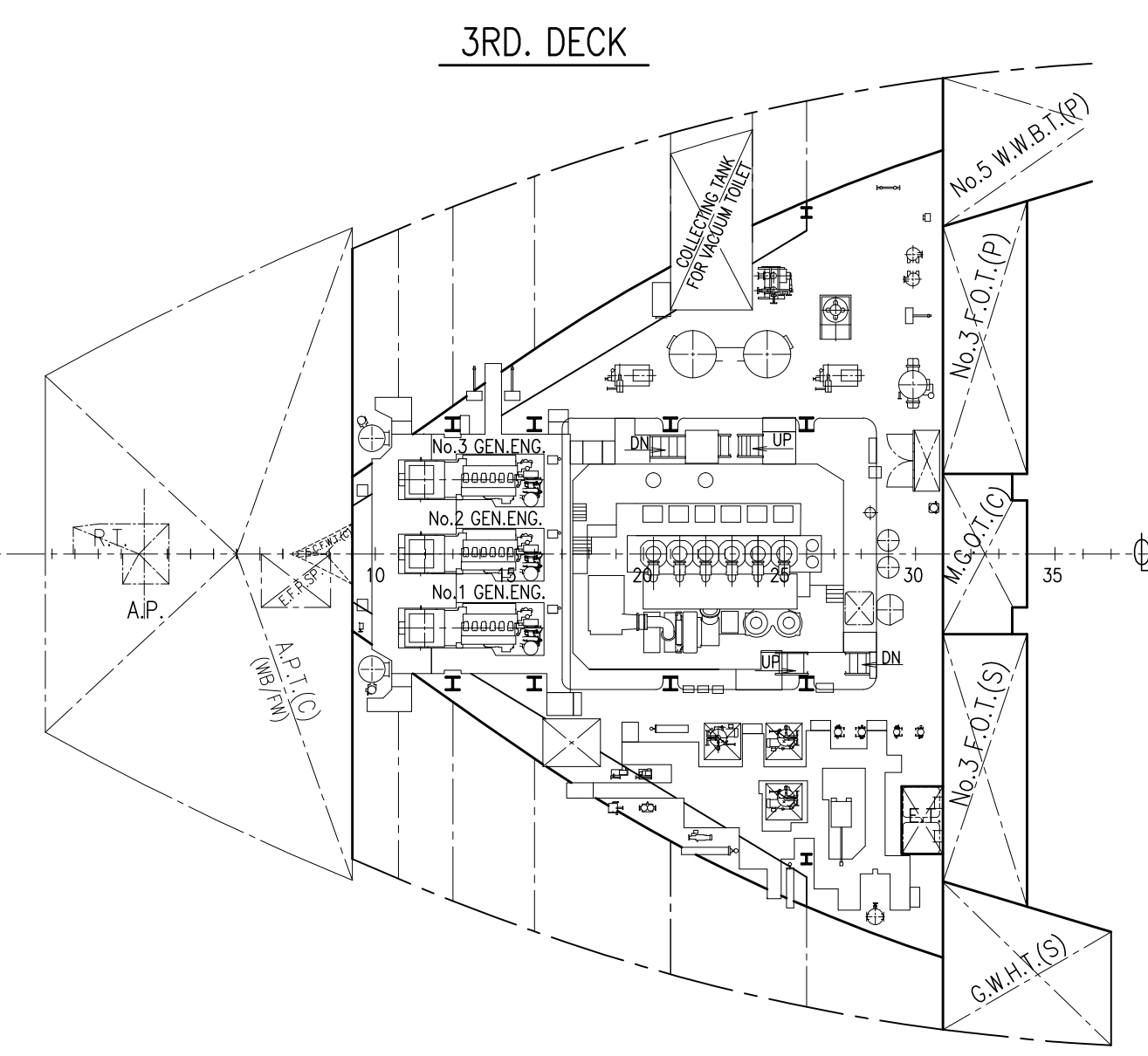
# GENERAL ARRANGEMENT (SCALE = 1/200)

## M.V. "BERGE RISHIRI"



PRINCIPAL PARTICULARS

LENGTH (O.A.)	179.97 m
LENGTH (P.P.)	174.00 m
BREADTH (M.L.D.)	30.00 m
DEPTH (M.L.D.)	14.05 m
SUMMER DRAFT (EXT.)	9.822 m
DEADWEIGHT (AT SUMMER)	34,512 t
INTERNATIONAL GROSS TONNAGE	21,530 t
INTERNATIONAL NET TONNAGE	11,203 t
MAIN ENGINE	MITSUBISHI BUEC45LSE-Eco-B2 x 1 set
M.C.O.	5,690 kW (7,736 PS) AT 108.0 rpm
N.C.O. (85% M.C.O.)	4,835 kW (6,574 PS) AT 102.3 rpm
SERVICE SPEED	14.0 kts
COMPLEMENTS	24 P
CLASSIFICATIONS	NK, NS*, (BCM, BC-XII, GRAB, PSPC-WBT), (WS), (PSCM), (BWTs), (EEDI-p0), MNS* (Double hull construction applied to all cargo holds)
IMO NUMBER	9713222



THE HAKODATE DOCK CO., LTD.  
HAKODATE SHIPYARD HAKODATE, JAPAN

BERGE RISHIRI  
S.No.876

GENERAL ARRANGEMENT

FINISHED PLAN

SCALE	1/200
THE HAKODATE DOCK CO., LTD.	HAKODATE SHIPYARD
HAKODATE JAPAN	HAKODATE JAPAN
SHIP DESIGN DEPARTMENT	BASIC DESIGN SECTION
APPROVED	<i>[Signature]</i>
CHECKED	<i>[Signature]</i>
CHECKED	<i>[Signature]</i>
DRAWN	<i>[Signature]</i>
DATE	Sep. 2, 2016
SECTION NO.	S.No.876
DRAWING NO.	G-2/F-0
LIST NO.	P-3